



Pilous

Železná 9, 619 00 Brno, Czech Republic

Tel.: +420 543 25 20 10

e-mail: wood@pilous.cz, www.pilous.cz

CTR 550



3110 x 27-35 x 0,9 mm

Max. log diameter	550 mm
Max. opening between blade guides	400 mm
Max. elevation of blade	465 mm
Min. log height	20 mm
Max. depth of cut	200 mm
Max. log length (standard model)	3,6 m
Length track section	2,25 m
Min. log length	0,9 m
Saw blade motor	4 kW
Sawblade	3110 x 27-35 x 0,9 mm
Weight (standard model)	250 kg
Weight (track section)	76 kg

Nominal current of circuit breaker is minimally 16 Ampere

DESCRIPTION

Feed into the cut and back – hand-operated

Arm height adjustment – manual

Control panel – on a mobile bridge

Log handling – manual

The smallest machine in the offer. It is designed primarily for cutting smaller volumes of lumber. Ideal solution for family farms, joiners' workshops or small sawmills. Very simple hand feed into the cut and back. The control panel is placed on a mobile bridge of the saw band arm. Thanks to that the operator has closer access to the workpiece when cutting. Height is adjusted using a hand crank with adjustable scale.

First machine of its type in the world that uses bimetallic saw band which is by default used in metal band saws.

That brings the following benefits:

- very simple operation
- single saw band cuts all types of wood without tooth adjustment (sharpening, tooth setting)
- elimination of tedious, technically challenging sharpening and setting of teeth
- you can immediately start cutting wood in professional quality without any necessary experience
- bimetallic saw band easily cuts metal materials in the log such as nails, shrapnel or bullets.
- professional three-side hardmetal saw band guidance in guiding heads and robust support of all rotary parts ensure high cutting accuracy and long service life of the saw band
- maximum accuracy, like in professional machines
- no need to purchase tooth sharpener and tooth setting machine
- easy accessibility and low cost of bimetallic saw bands

Total power input of the machine of 4 kW guarantees low operating costs and easy connection to mains. You may also use a special 35 x 0.9 mm bimetallic saw band instead of the 27 x 0.9 mm bimetallic saw band. Similarly to the metal-cutting bimetallic saw band it doesn't require any sharpening or tooth setting. You can also fit your machine with standard saw-cutting bands (35 x 0.9 mm) identical to those used in higher professional models CTR 710, 800 and 950. Larger teeth in these saw bands allow for increase of productivity when cutting large diameter logs. However, in the above mentioned saw bands it is necessary to sharpen and set the teeth regularly.

The arm is fitted with aluminium running wheels with accurate balancing against vibrations. The wheel has a groove along its circumference. The groove holds a replaceable rubber-textile belt which creates an optimum contact area between the wheel and the saw band.

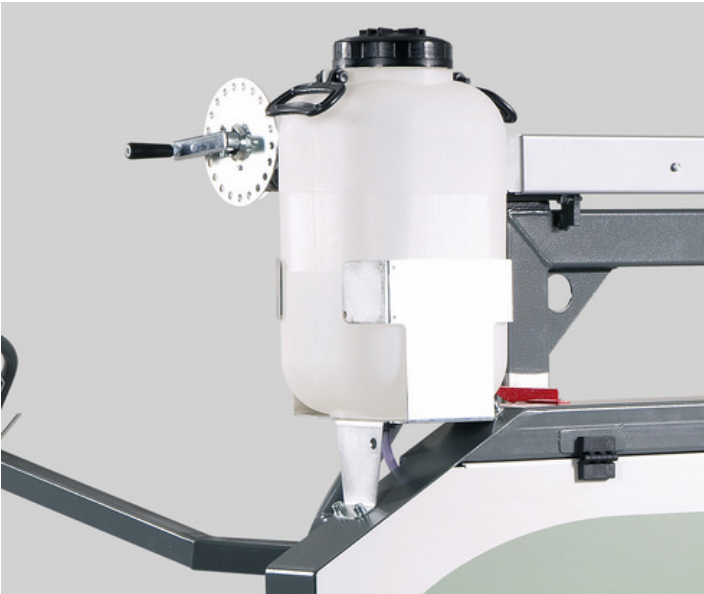
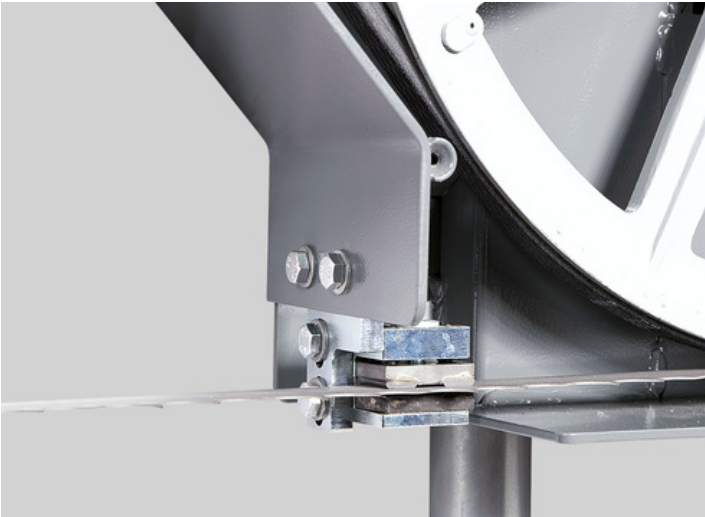
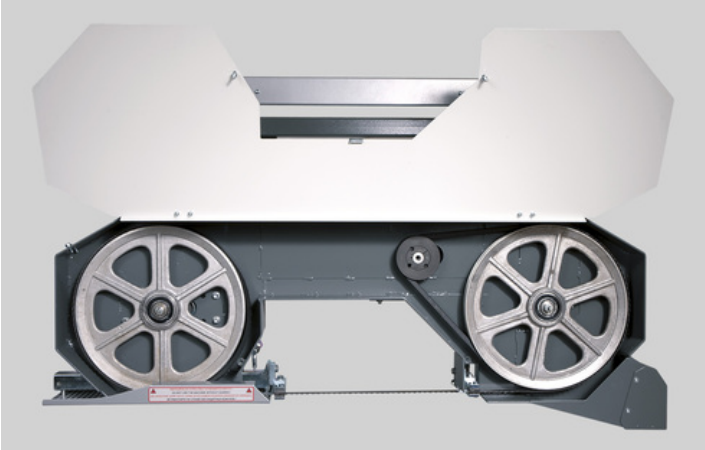
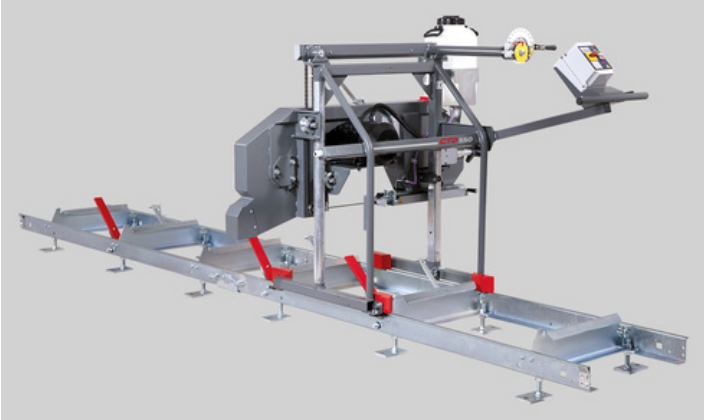
The sturdily mounted running wheel is powered through a wedge belt by a professional electrical motor specially balanced against vibrations.

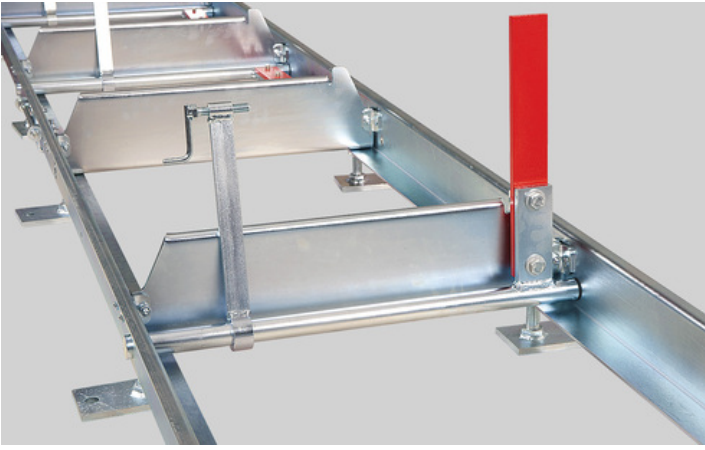
The tensioning wheel system moves within a solid cast iron guiding, which ensures long-term service life and setting accuracy even in long-term machine operation.

CTR series present the latest trends in construction of log saw bands with a special emphasis on maximum accuracy and long-term service life of the machine while ensuring minimum costs.

The machines are designed in an original modular execution which allows easy replacement or adjustment of all main technical sections and their individual parts. This in the long-term perspective reduces the maintenance costs and service times and therefore production stoppages as well.

PHOTOGALLERY





ACCESSORIES

ACCESSORIES – SPECIAL ACCESSORIES



2,25 m

Track section 2,25 m

Track section 2,25 m

Contain in basic: 3x cross beams, 1x angle arms, 1x material clamp
Variable points: 1x angle arm, 1x material clamp



Lever for log loading

Lever for log loading

Serves as help with manipulation with logs on machine frame.



Material clamp with variable square

Material clamp with variable square



Additional clamp arm

Additional clamp arm



Hand Operated Grease Gun

Hand operated grease gun

For regular maintenance of the machine according to the lubrication plan. Metal grease gun for 400g cartridges. Equipped with a flexible pressure tube.

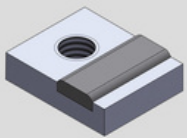


Grease LV 2-3

Grease LV 2-3

400g cartridge for the grease gun.

ACCESSORIES – CONSUMABLE PARTS



Hard-metal Plate 20 x 0.9 mm

Hard-metal plate 20 x 0.9 mm



Hard-metal Plate 12 x 4 mm

Hard-metal plate 12 x 4 mm

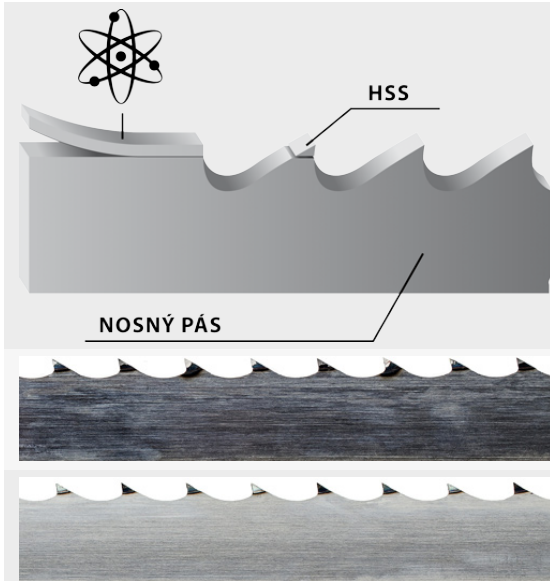


Running Wheel Wedge Belt SPB 1500
Wheel Wedge Belt B 17x1220 Li

Running wheel wedge belt SPB 1500 Wheel wedge belt 17x1220 Li

MAXWOOD

- The original saw blades PILOUS MAXwood are available in a variety of types which enables you to process any kind of wood.
- The wide product range not only offers more affordable saw blades for low-volume cutting, but includes also saw blades for fully professional cutting and utmost performance.
- The foundation of all saw blades are top-quality German materials and precise workmanship. The quality of the saw blades is carefully monitored. All saw blades correspond to the strict ISO 9001 norm.
- We have added to our portfolio also an original Munkfors saw blade made by the world's leading manufacturer Uddeholm from Sweden.
- Pilous saw blades are used in dozens of countries around the world. Any wood you cut, the company Pilous will recommend you a saw blade that will fit your needs.



BiMetal

Saw blade with tool steel teeth - completely eliminates the need to sharpen the saw blade as well as frequent blade replacement. Use: soft, hard to extremely hard wood.

HSS

Bearing blade

Stellite

Saw blade with teeth made of Stellite. Tooth setting is completely unnecessary. Use: soft, hard to extremely hard wood.

Carbon spring steel

The most common saw blade for optimum price/performance ratio. Use: soft and hard wood.



Be careful when unpacking welded saw blades. They are in a shipping container in tensioned condition. Remove the saw blade cover only after fitting it onto the machine.

